

RJ45, magnetics

SRJ110001SHU020M

Description

The SRJ110001THD008M is a RJ45 connector with 100 Base-T, and integrated magnetics.

The connector is designed to support application such as SOHO (ADSL modems), LAN-on-Motherboards(LOM), Hub and Switches.



Typical applications

- Ethernet
- Network Switch
- Network Hub
- Modems



Features

Mechanical Properties

Description

Speed	10/100 Base-T
Number of ports	Single
Latch	Down
Pin type	THT
Application-Lan	Ethernet (NoN PoE)
Led	Include, 2 pcs
Color	Green, Yellow
Housing material	Thermoplastic PBT+30%G.F. UL94V-0
Contact material	Phosphor Bronze, C5210R-EH, 0.35mm
Pin material	Brass C2680R-H, 0.35mm
Shield material	SUS 201-1/2H, 0.2mm
Contact Plating material	Gold 6 Micro-Inches Min.
Operating Temperature	0°C~+70°C
Wave Peak Soldering	+265°C Max. 5 sec Max.
Dimensions	21.25 x 15.93 x 13.30 mm ± 0.1

RJ45, magnetics

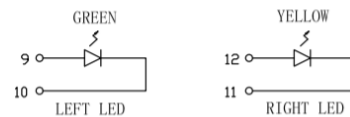
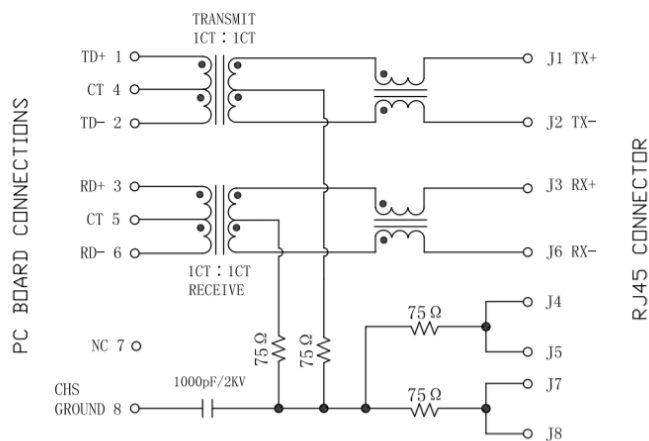
SRJ110001SHU020M

Electrical Properties

Description

Turn Ratio ($\pm 3\%$)	1CT : 1CT
Inductance OCL	350uH Min. @100KHz , 0.1V 8mA DC Bias
Insertion Loss	-1.0dB Max. @1-100MHz
Return Loss	-18dB Min. @1-30MHz -15dB Min. @30-60MHz -12dB Min. @60-80MHz -10dB Min. @80-100MHz
Cross Talk	-40dB Min. @1-30MHz -35dB Min. @30-60MHz -30dB Min. @60-100MHz
Common Mode Rejection:	-40dB Min. @1-30MHz -35dB Min. @30-60MHz -30dB Min. @60-100MHz
Hipot Test:	1500Vrms

Electrical



Emitting Color	λ p(nm)	V _F @I _F =20mA	I _R @V _R =5V
Green	570	1.8-2.6V	10 μ A max
Yellow	585	1.8-2.6V	10 μ A max

